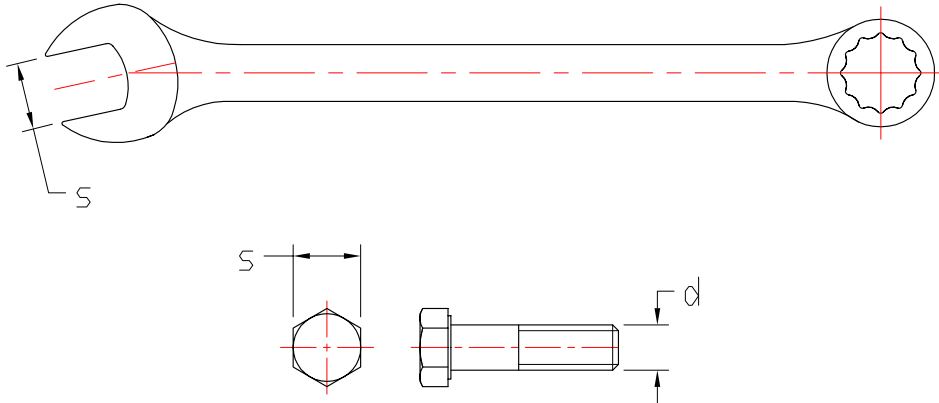


# Spanner Size for PN16 Flange Fasteners (Hexagon Bolts)

## Standard Specification

Standard: BS 4190, ISO Metric Hexagon Head Bolts.  
BS EN 1092-2, PN16 Flange.



## Spanner Size

PN16 Flange DN	Bolt Size d	Bolt Width s	Spanner Size s
80	M16	24	24
100	M16	24	24
150	M20	30	30
200	M20	30	30
250	M24	36	36
300	M24	36	36
350	M24	36	36
400	M27	41	41
450	M27	41	41
500	M30	46	46
600	M33	50	50
700	M33	50	50
800	M36	55	55
900	M36	55	55
1000	M39	60	60
1100	M39	60	60
1200	M45	70	70
1400	M45	70	70
1500	M52	80	80
1600	M52	80	80
1800	M52	80	80
2000	M56	85	85