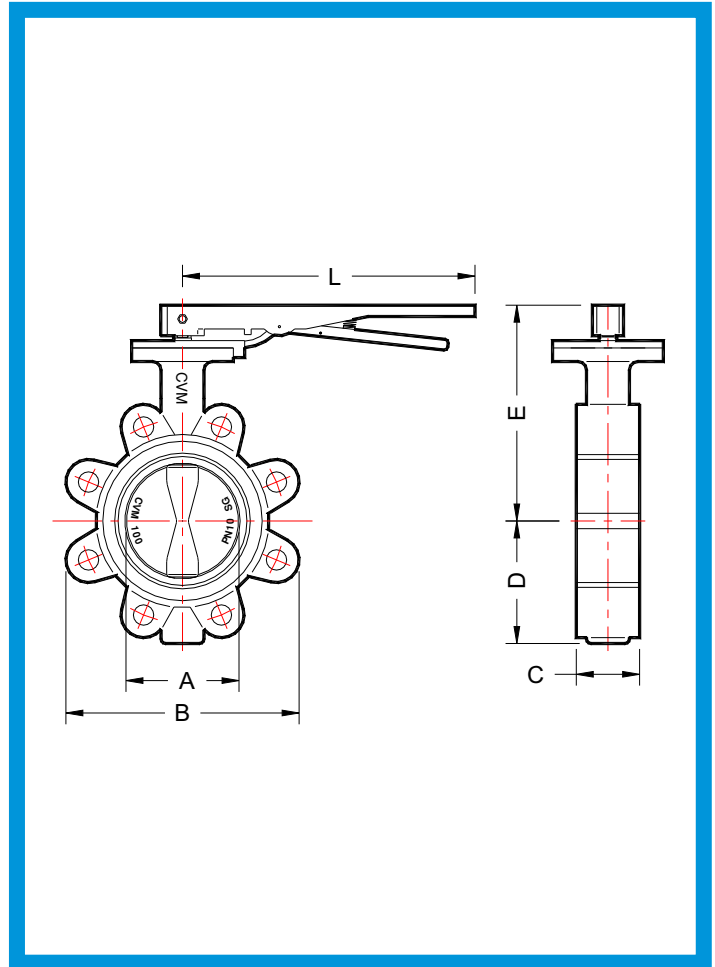


Features

1. PN16.
2. Resilient Seat.
3. Lug type.
4. Bi-directional. Suitable for dead-end service at rated pressure.
5. Ductile Iron ASTM A536 Body.
6. EPDM seat.
7. Concentric Disc.
8. Lever Operated.

Dimensions (mm)

DN	A	B	C	D	E	L
50	50	165	43	56	131	150
65	65	185	43	71	146	150
80	80	200	26	78	153	150
100	100	220	52	95	173	150
125	125	250	56	105	180	150
150	150	285	56	121	206	150
200	200	340	60	158	225	215



Standard Specification

Product Standard	AWWA C504 / ISO 10631 BS EN 593 / BS 5155
Face To Face Dimensions	ISO 5752 / EN 558-1 Basic Series 20 - Wafer Short
Pressure Rating	Pn10, 16 ANSI Class 150, 250
Product Range	50 to 200 mm
Temperature Range	-15° to 120°C
Construction	Concentric Disc
Flange Connections	ANSI B16.1 Class 150 BS EN 1092-2 Pn10, 16 ISO 7005-2

Operation	Lever Operated	
Mounting Flange	ISO 5211 Part Turn	
Direction of Operation	4 to 7 kg/cm ²	
Rotating Angle	90° ±3	
Material Specification	Body	Cast Iron A126 Ductile Iron ASTM A536
	Shaft	Stainless Steel AISI 304 / AISI 316
	Disc	Ductile Iron with Epoxy Coated Stainless Steel AISI 304
	Rubber Seat	EPDM
Coating	Epoxy Coated	
Hydrostatic Test	Seat Test 1.1 x PN Shell Test 1.5 x PN	

Other valve materials are available on request.

Subject to change without prior notice.

Chuah Valves Manufacturing Sdn Bhd (408193-T)

Plot 1575, Tingkat Perusahaan 5A, Kawasan Perusahaan Prai, 13600 Prai, Penang, Malaysia.
Tel: +604 3970630 Fax: +604 3971898