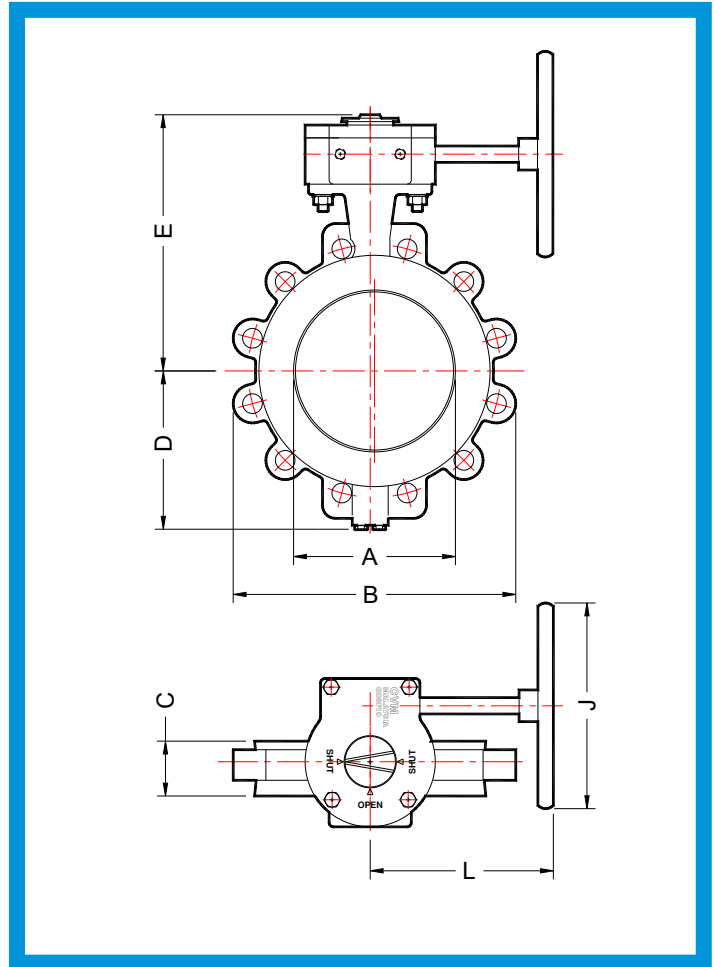


Features

1. 250 CWP.
2. MSS SP-67, Type 1.
3. Lug type.
4. Bi-directional. Suitable for dead-end service at rated pressure.
5. Ductile Iron ASTM A536 Body.
6. EPDM seated.
7. Aluminium Bronze Double Eccentric Disc..
8. Stem offset from the centerline to provide 360° circumferential seating.
9. Gear Operated.

Dimensions (mm)

DN	A	B	C	D	E	L	ØJ
50	50	165	43	56	131	150	125
65	65	185	43	71	146	150	125
80	80	200	26	78	153	150	125
100	100	220	52	95	173	150	125
125	125	250	56	105	180	150	125
150	150	285	56	121	206	150	300
200	200	340	60	158	225	215	300
250	250	395	68	190	272	215	300
300	300	450	78	215	297	215	300
350	336	520	78	255	342	215	300
400	386	580	102	310	421	300	400
450	436	640	114	335	446	300	400
500	486	715	127	360	471	300	400
600	586	840	154	425	595	300	400



Standard Specification

Product Standard	AWWA C504 MSS SP-67, Type 1
Face To Face Dimensions	ISO 5752 / EN 558-1 Basic Series 20 - Wafer Short
Pressure Rating	ANSI Class 150, 250 PN 10, 16
Product Range	50 to 600 mm
Temperature Range	-15° to 120°C
Construction	Double Eccentric Disc
Flange Connections	ANSI B16.1 Class 150

Operation	Manual Worm Gear Box	
Mounting Flange	ISO 5211 Part Turn	
Direction of Operation	4 to 7 kg/cm ²	
Rotating Angle	90° ±3	
Material Specification	Body	Cast Iron A126 Ductile Iron ASTM A536
	Shaft	Stainless Steel AISI 304 / AISI 316
	Disc	Aluminium Bronze ASTM B148 C95800
	Rubber Seat	EPDM
Coating	Epoxy Coated	
Hydrostatic Test	Seat Test 1.1 x PN Shell Test 1.5 x PN	

Other valve materials are available on request.

Subject to change without prior notice.

Chuah Valves Manufacturing Sdn Bhd (408193-T)
Plot 1575, Tingkat Perusahaan 5A, Kawasan Perusahaan Prai, 13600 Prai, Penang, Malaysia.
Tel: +604 3970630 Fax: +604 3971898