

**Standard Specification**

Product Standard:	Manufacturing Standard, JKR 20200-0072-00
Flange Connections:	BS EN 1092-2, ISO 7005-2, DIN 2501
Test Procedures:	BS EN 12266-1, ISO 5208

**Product Range**

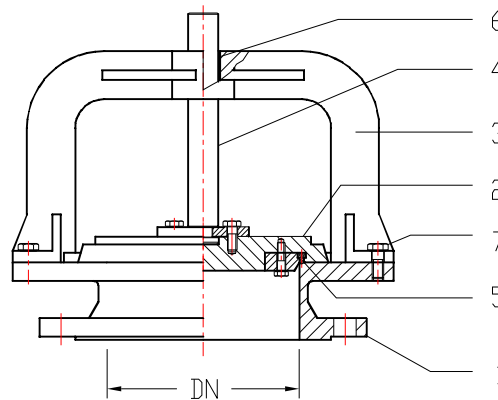
Size:	DN 100 to DN 450
Pressure Rating:	5, 10 m head
Temperature Range:	-10°C to +80°C

**Features**

- Full bore and no obstruction to the flow.
- Resilient Seated.
- Replaceable seal.
- Drain off the sludge without any remaining at the chamber

**Application**

Water, waste water, industrial slurry & sludge, pulp & paper.



**Dimensions**

DN	A	B	C	D	Flange	Weight (kg)
100	100	60	130	60	Refer to	25
150	150	60	160	60		35
200	200	80	220	100	BS EN 1092-2, ISO 7005-2	45
250	250	90	260	120		55
300	300	120	260	120		65
350	350	120	280	140		75
400	400	140	300	160		100
450	450	180	330	180		125

**Material Specification**

No.	Part Name	Material	Material Standard
1	Body	Ductile Iron	DIN 1693, GGG 50 BS EN 1563, EN-JS-1050
2	Disc	Ductile Iron	DIN 1693, GGG 50 BS EN 1563, EN-JS-1050
3	Bridge	Ductile Iron	DIN 1693, GGG 50 BS EN 1563, EN-JS-1050
4	Stem	Stainless Steel X10Cr13	DIN: 1.4301 AISI 304
5	Rubber Seat	EPDM	
6	Bearing	Phosphor Bronze	
7	Bolting	Stainless Steel	AISI 304