

Features

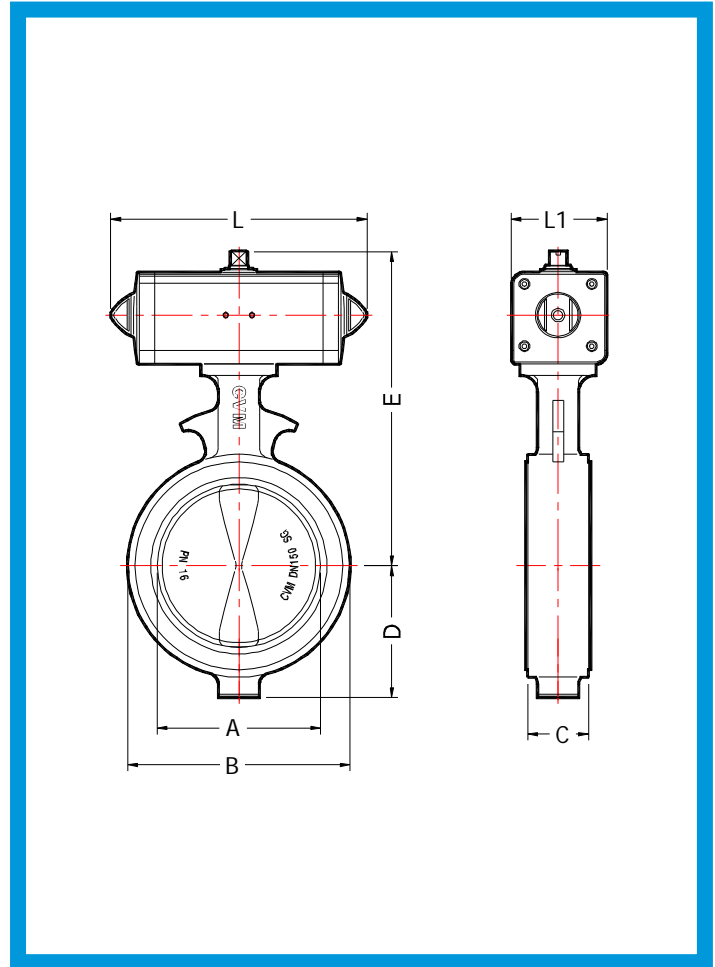
1. Wafer type.
2. Soft seated.
3. Quarter (1/4) turn.

General Applications

- Industrial processing
- Water & waste water
- Air conditioning
- Power generation
- Fire alarm system
- Marine & shipbuilding
- Food and beverage processing
- Air ventilation

Dimensions (mm)

DN	A	B	C	D	E	L	L1
50	50	105	43	56	198	178	69
65	65	116	43	71	213	178	69
80	80	130	26	78	220	178	69
100	100	156	52	95	261	234	83
125	125	184	56	105	268	234	83
150	150	210	56	121	294	234	83
200	200	265	60	158	328	276	98
250	250	330	68	190	389	334	114
300	300	374	78	215	434	414	136
350	336	405	78	255	479	414	136
400	386	470	102	310	545	456	158
450	436	522	114	335	600	540	178
500	486	576	127	360	625	540	178
600	586	672	154	425	791	640	230



Standard Specification

Product Standard	BS EN 593 / BS 5155 ISO 10631 / AWWA C504
Face To Face Dimensions	ISO 5752 / EN 558-1 Basic Series 20 - Wafer Short
Pressure Rating	PN10, 16 ANSI Class 125, 150 JIS 5K, 10K
Product Range	50 to 600 mm
Temperature Range	0°C to 120°
Construction	Concentric Disc
Flange Connections	BS 4504 PN10, 16 BS EN 1092-2 Pn10, 16 BS 10 Table D, E ANSI B16.1 Class 125, 150 JIS 5K, 10K

Operation	Double Acting Pneumatic Actuator	
Operating Media	Compressed Dry Air	
Operating Pressure	4 to 7 kg/cm ²	
Rotating Angle	90° ±3	
Material Specification	Body	Cast Iron Ductile Iron
	Shaft	Stainless Steel AISI 304 / AISI 316
	Disc	Ductile Iron With Epoxy Coated Stainless Steel AISI 304
	Rubber Seat	EPDM / NBR
Coating	Epoxy Coated	
Accessory	Solenoid Valve, Air Filter Regulator Limit Switch Box	

Other valve materials are available on request.

Subject to change without prior notice.