

Standard Specification

Product Standard:	BS EN 593, BS 5155, ISO 10631
Face to Face Dimensions:	ISO 5752, EN 558-1 Basic Series 13
Flange Connections:	BS EN 1092-2, ISO 7005-2, DIN 2501
Mounting Flange:	ISO 5211
Test Procedures:	BS EN 12266-1, API 598

Product Range

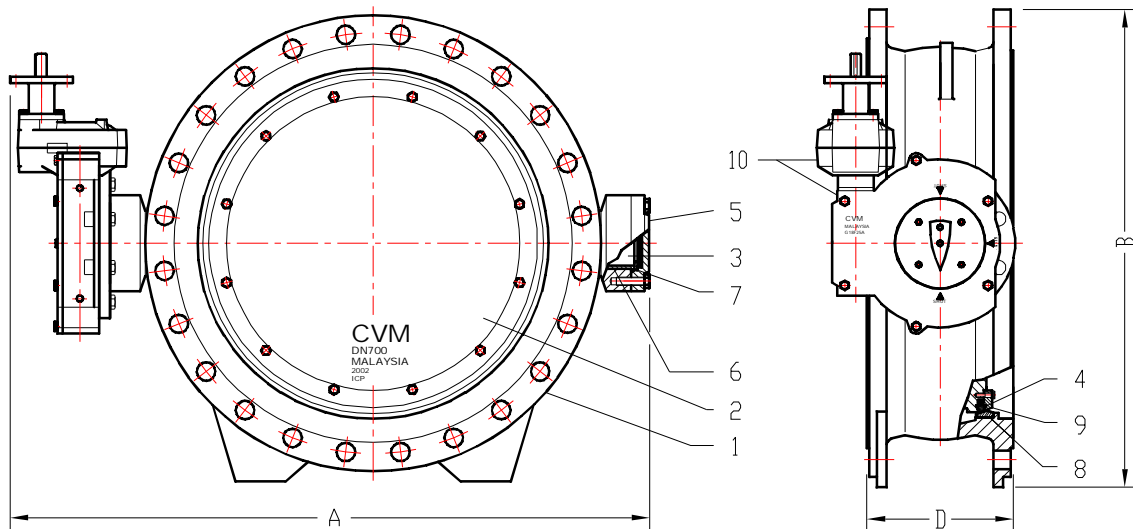
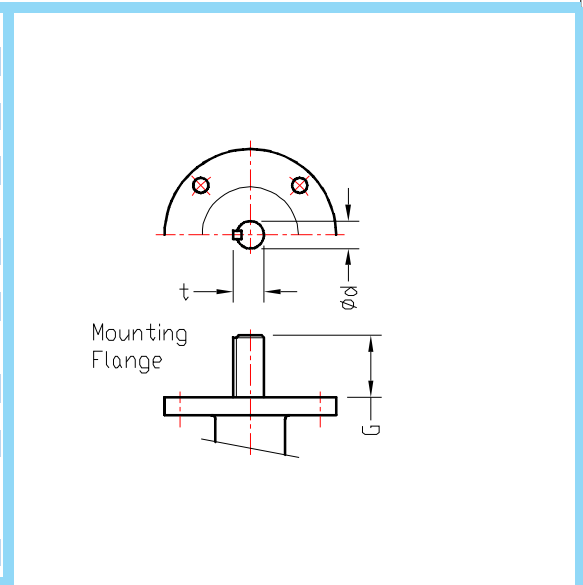
Size:	DN 300 to DN 3000
Pressure Rating:	PN10, 16, 25
Temperature Range:	-20°C to +120°C

Features

- Double eccentric.
- Bi-directional.
- Food grade epoxy coating.
- Rubber Seal on eccentric disc can be easily replaced.

Application

Raw water, treated water, sea water, waste water, industrial processing



Dimensions

DN	A	B	D	d	b	t	L	MF	Flange
300	655	485	178	20	6	22.5	45	F10	
350	740	545	190	20	6	22.5	45	F10	
400	760	605	216	20	6	22.5	45	F10	
450	965	665	222	20	6	22.5	45	F10	
500	975	740	229	20	6	22.5	45	F10	
600	1085	865	267	20	6	22.5	45	F10	Refer to
700	1265	935	292	20	6	22.5	45	F10	BS EN 1092-2,
800	1460	1050	318	25	8	28	50	F14	ISO 7005-2
900	1600	1150	330	25	8	28	50	F14	
1000	1700	1280	410	25	8	28	50	F14	
1200	2100	1510	470	25	8	28	50	F14	
1400	2450	1710	530	30	8	33	55	F14	
1500	2650	1845	530	30	8	33	55	F14	
1600	2750	1655	600	30	8	33	55	F14	
1800	3200	2155	670	30	8	33	55	F14	
2000	3500	2365	760	30	8	33	55	F14	

MF: ISO Mounting Flange

Material Specification

No.	Part Name	Material	Material Standard
1	Body	Ductile Iron	DIN 1693, GGG 50 BS EN 1563, EN-JS-1050
2	Disc	Ductile Iron	DIN 1693, GGG 50 BS EN 1563, EN-JS-1050
3	Shaft	Stainless Steel X20Cr13	DIN: 1.4021 AISI 420
4	Rubber Seal	EPDM	
5	Bottom Cover	Ductile Iron	EN-GJS-500-7, DIN GGG 50
6	Shaft Bushes	Metallic Base PTFE Self Lubricating Bearing	
7	LS Thrust Bearing	Bronze	
8	Body Seat	Stainless Steel	DIN: 1.4301 AISI 304
9	Retaining Plate	Stainless Steel	DIN: 1.4301 AISI 304
10	Shaft Seal	EPDM	
11	Handwheel	Ductile Iron	DIN 1693, GGG 50 BS EN 1563, EN-JS-1050
12	Gear Box		